


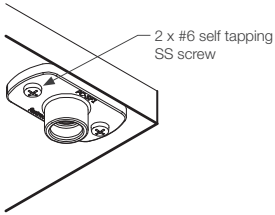
PC-SF1 Surface Mount Female

(page 1 of 2)

<p>PC-SF1</p> 	<p>USE WITH:</p>	<p>INSTALL WITH:</p>									
	<table border="0"> <tr> <td data-bbox="319 375 386 438">PC-M1B </td> <td data-bbox="397 375 464 438">PC-VM1 </td> <td data-bbox="476 375 543 438">PC-SM2 </td> </tr> <tr> <td data-bbox="319 446 386 526">PC-M2H </td> <td data-bbox="397 446 464 526">PC-VMX </td> <td data-bbox="476 446 543 526">PC-SM2H </td> </tr> <tr> <td></td> <td data-bbox="554 446 610 526">PC-SM1AC </td> <td></td> </tr> </table>	PC-M1B 	PC-VM1 	PC-SM2 	PC-M2H 	PC-VMX 	PC-SM2H 		PC-SM1AC 		<p>Screw or rivet</p>
PC-M1B 	PC-VM1 	PC-SM2 									
PC-M2H 	PC-VMX 	PC-SM2H 									
	PC-SM1AC 										

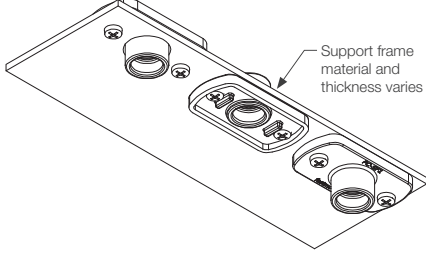
INSTALLATION STEP OPTIONS

1 Screw fix PC-SF1 to frame



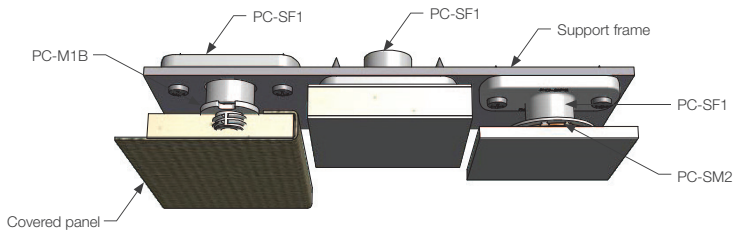
2 x #6 self tapping SS screw

2 Options for mounting PC-SF1 to support frame



Support frame material and thickness varies

3 Options for mounting PC-SF1 to support frame and male clip and panel types













Labels in diagram: PC-SF1, PC-SF1, Support frame, PC-M1B, Covered panel, PC-SF1, PC-SM2

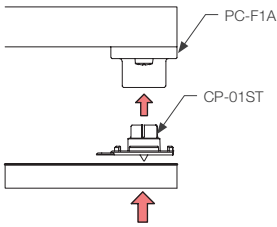
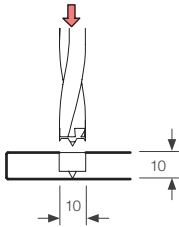
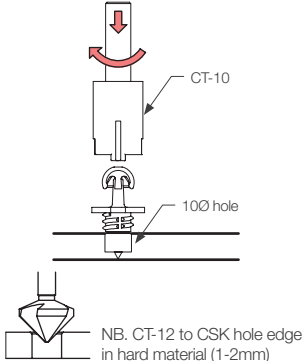
MORE INFO: Clip Layout Guide TD-02

PC-SF1 Surface Mount Female

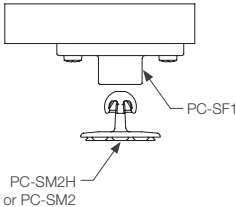
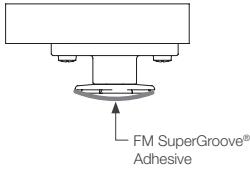
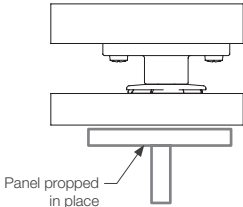
(page 2 of 2)

	USE WITH:				INSTALL WITH:				
	PC-M1B 	PC-VM1 	PC-SM2 	PC-M2H 	PC-VMX 	PC-SM2H 	PC-SM1AC 	CP-01ST 	CT-09 

INSTALLATION STEPS

<p>1 Fit CP-01ST into PC-SF1 then push panel to mark center</p> 	<p>2 Drill panel on center mark with CT-09 7.5mm deep</p> 	<p>3 Screw fit male clip with CT-10. Use battery drill with clutch set.</p> 
---	--	--

INSTALLING ADHESIVE FIT MALE CLIPS (FIRST COMPLETE STEPS 1, PAGE 1)

<p>4 Clip PC-SM2 into PC-SF1</p> 	<p>5 Apply adhesive to PC-SM2</p> 	<p>6 Place panel and support while adhesive dries</p> 
--	--	--

MORE INFO: Clip Layout Guide TD-02