

Dear customer,

To help you soon as possible and to avoid misunderstandings we send you this form.

We would kindly ask you to fill in this form securely and mail back to our company.

We appreciate additional sharp pictures with good details and / or precise drawings sended to us by mail.

Date * : _____

Yard * : _____

Name * : _____

Position * : _____

Email address * : _____

Phone (or mobile phone)* : _____

Project * : _____ Project nr.: _____

Year of construction : _____

Construction site : _____ Yard nr. : _____

I am interested in: : _____

Number of cylinders* : _____

In case you have any questions please mail to your contact at Kroon Hoogezand BV or to sales@kroon.nl

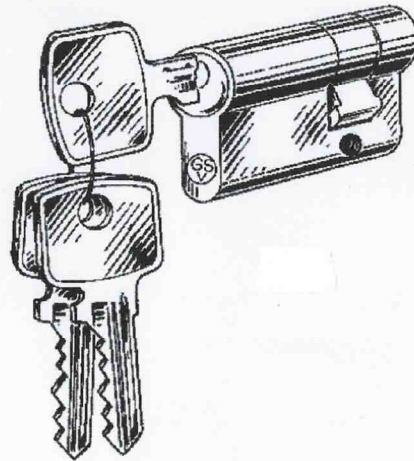
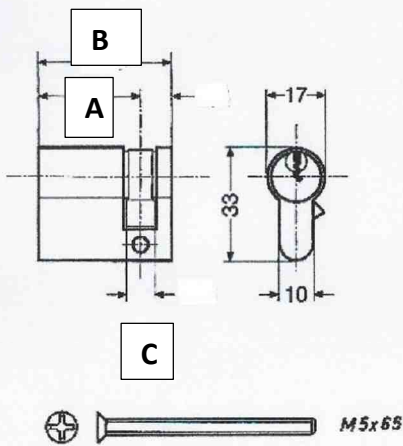
Please send a new form for every other article unless it is exactly the same..

Note: For masterkey or general masterkey systems which Kroon did not supply we need a copy of the original certificate!

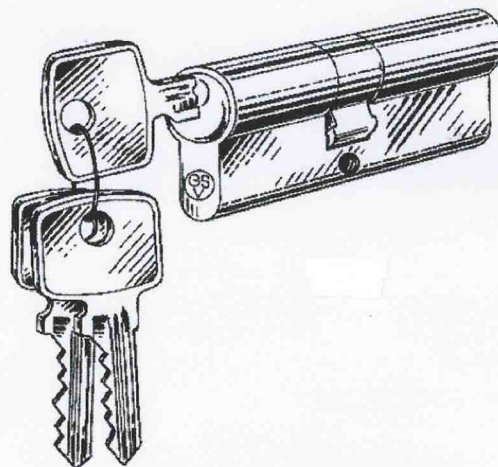
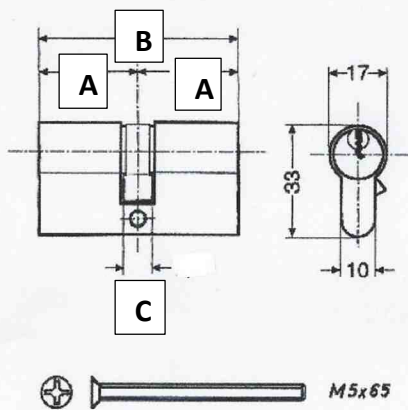
For changing a masterkey plan or general masterkey plan please explain what you want to change in a copy of the current keyplan. NOTE: Changes are not allways possible.

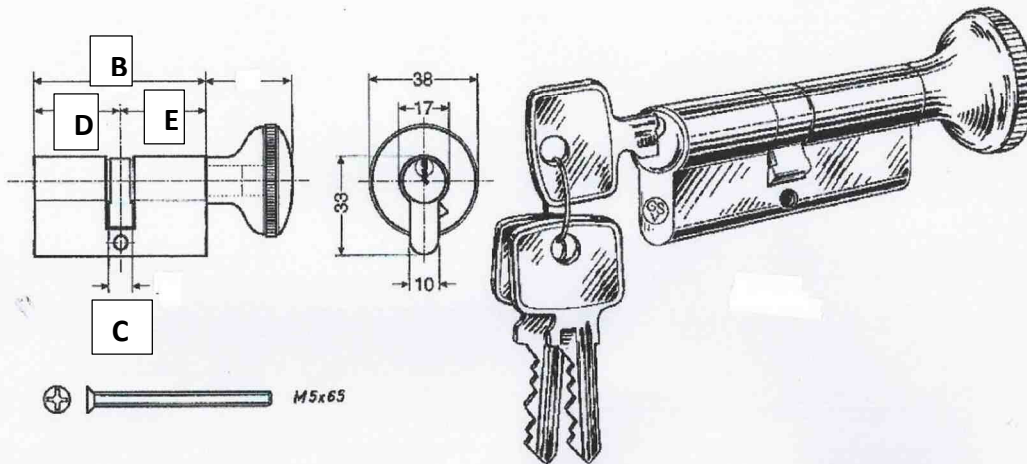
Please mail your forms to your contact at Kroon Hoogezand BV or to sales@kroon.nl

Single profile cylinder



Double profile cylinder





Required Data:

For single profile cylinder : A-B-C _____

For double profile cylinder: A-B-C _____

For knob cylinder : B-C-D-E _____

Knob type : _____
(please send us type of knob? / Brand / article number or image)

Knob cylinders are on request available as axle cylinder (without knob)

Reorder on an existing masterkey and general masterkey plan:

Brand cylinder : _____

Finish : _____ (brass, polished chrome, satin nickel etc.)

System number : _____

Door number : _____

Cylinder number: _____ + Key number: _____

Pcs : _____ + Cylinder type (single, double, knob cylinder)

Pcs keys : _____ (mono key, masterkey, general masterkey ?)

Certificat nr. : _____ - Seawater resistant? : _____